

Radial piston pneumatic agitators

Version suitable for 200÷400 liter containers

AF-21

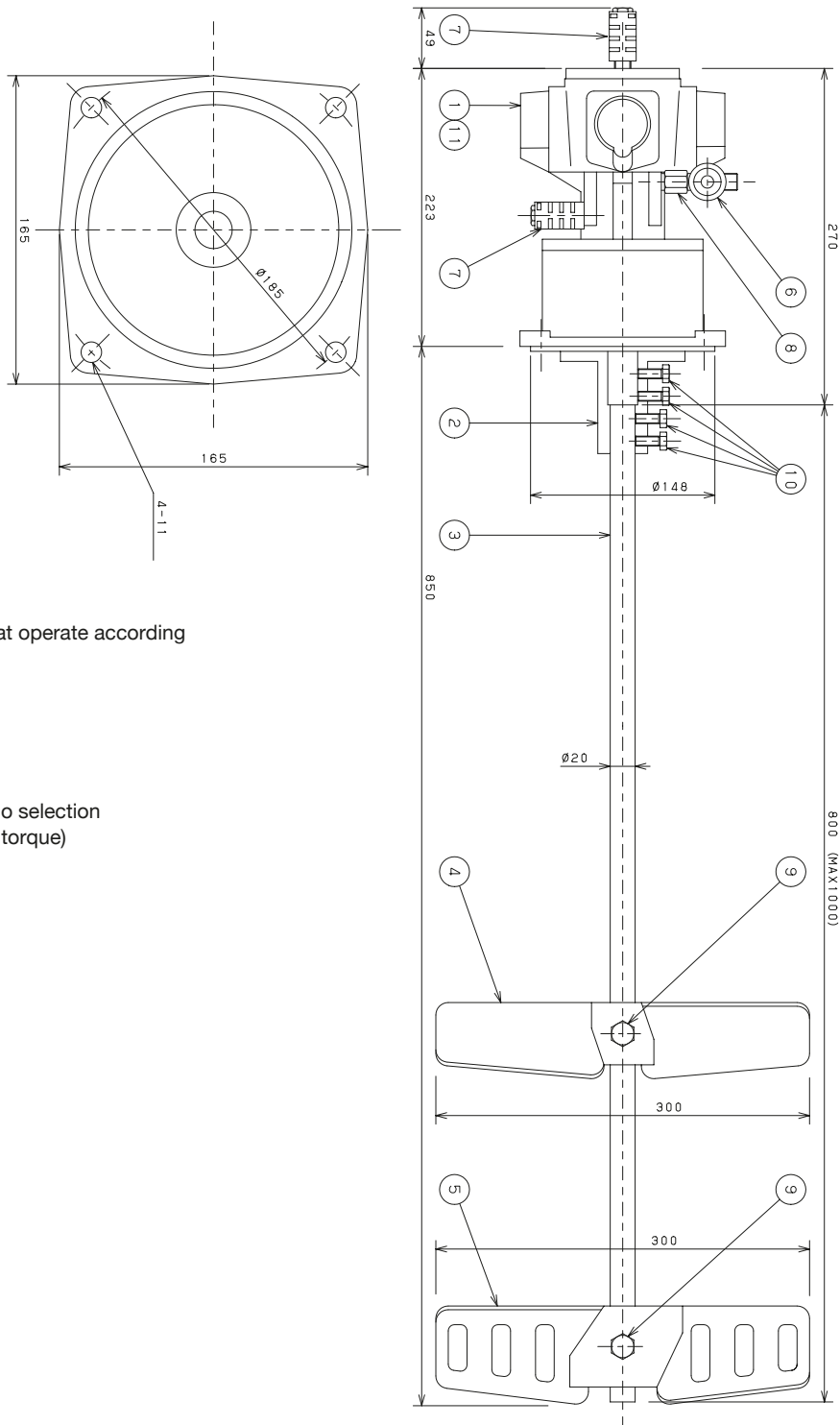


Model		AF-21-5	AF-21-10	AF-21-15
→ With reducer		1/5	1/10	1/15
→ Maximum power	W	110	110	110
→ Torque	Nm	6,0	12,0	18,0
→ Rotation speed				
→ without load	rpm	360	180	120
→ Air consumption	l/min	260	260	260
→ Max air pressure	bar	5	5	5
→ Stall torque	Nm	9,0	18,0	27,0
→ Weight	kg	11,0	11,0	11,0

Radial piston pneumatic agitators

Version suitable for 200÷400 liter containers

AF-21



The AF-21 series includes agitators that operate according to the radial piston principle.

This principle mainly allows for:

- precise control with high torque
- robust, long-lasting construction
- no or reduced maintenance
- low noise level
- different gearboxes available for ratio selection and application conditions (speed - torque)