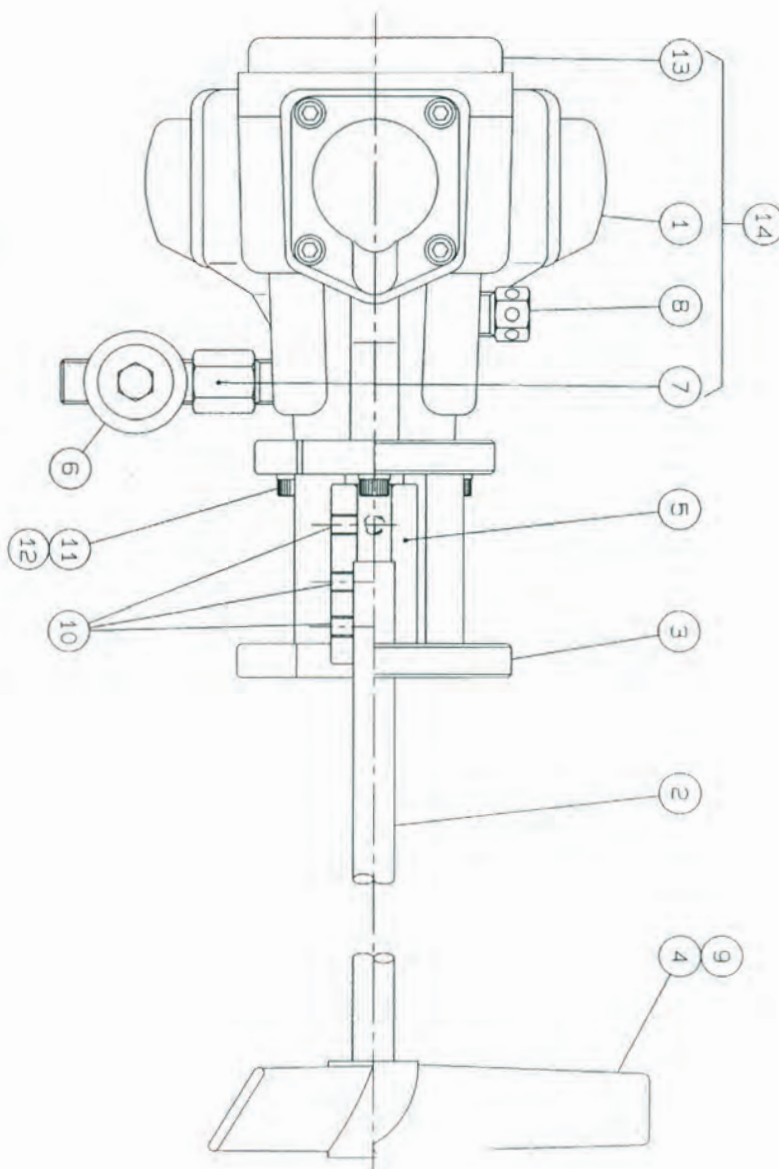


AF-2 Pneumatic agitator - series mini



Parts List

No.			No.		
1	Air motor MAM-I	1	8	Air motor ventilator	1
2	Agitator Shaft	1	9	Hexagon bolt M8X15 M	1
3	Fixture for motor	1	10	Hexagon socket setscrew M6X 8M	4
4	Paddle	1	11	Hexagon socket head cap bolt M5 X15M	3
5	Connector	1	12	Plain washer 5M	3
6	Needle valve MHC-9X1/4	1	13	Air motor cover	1
7	Filter 1/4X1/4	1	(14)	Air motor Assy(No. 1.7.8.13)	1)

How to use AF-2

1. Use M6 bolt to attach the agitator. Fix it completely by nut.
2. Connect an air-hose into a needle valve.
3. After making the handle of needle valve closed, open an air valve, and supply air to the hose.
4. Open the handle of needle valve gradually, and adjust in proper turn, when you use.

Specification

model	Max output kW	Max torque N·m	Max roatation speed r.p.m	Air consumption L/min	Max air pressure MPa
AF-2	0.10	1	1000	230	0.5

Operation Manual for Model AF2

Caution Always keep to be safely used.

1. Confirm that Agitator Shaft, Feather and other installation parts don't loosen before you use.
2. Use clear air which let through Filter, Reduction Valve.
3. Use air pressure less than 5kgf/cm².
4. After installing air hose, make Needle Valve and Straight Valve closed, before supplying Air to Agitator.
5. Open the control of Needle Valve and the grip of Straight Valve gradually, when you operate Agitator.
6. When you agitate, fix fast so as not for the can or something like that to topple over.
7. When you operate agitator, don't touch the rotation parts of it, such as Feather, Shaft and so on, as it is dangerous.
8. Agitators shake very hard at some rotation speed. Avoid using the rotation speed.
9. To be used between 100rpm and 200rpm is ideal for the air motor rotation speed. If you use at very fast rotation, it brings the cause of abnormal friction and makes the lifetime of equipment shorten.
10. Feed a drop of special oil from upper part of Air Motor. If there is no oil, it brings the cause of wrong operation and abnormal sound. Feed the oil one time per 200/300 hours (operation time). (This is a standard) However, be careful too much feeding oil, as it leaks out from the lower part of the motor.
11. Be careful of static electricity, as there is a possibility of making spark, when the organic solvent vaporization concentration rises in the room.

